

**Girls' High School and College, Prayagraj**  
**Class: XII A, B, C & D**  
**Holiday Home – Work**  
**Project/Assignment**  
**Subject: English Language**  
**Session: 2026 – 2027**

**Topic :** You, along with a group of friends, went to watch the Women's Cricket World Cup Final, held at the D.Y. Patil Stadium in Mumbai.

Narrate your experience from entering the stadium to the electrifying atmosphere in the stadium. Also narrate your personal feeling as you witnessed India lift their First ever Women's World Cup Trophy.

Project to be written in the given format below:

1. Introduction
2. Presentation (Body)
3. Conclusion

**NOTE :**

1. To be written in Interleaf Assignment Register.
2. Project to be written in 500 words.

\*\*\*\*\*END\*\*\*\*\*

**Girls' High School and College, Prayagraj**  
**Class: XII A, B, C & D**  
**Holiday Home - Work**  
**Project/Assignment**  
**Subject : English Literature**  
**Session : 2026 – 2027**

**Topic :** Beethoven was a musician who could transform human emotions into music.

Explain how does the poem ,'Beethoven' bring out the message that despite personal challenges, man can aspire to great heights?

Project to be written in the given format below:

1. Introduction
2. Presentation (Body)
3. Conclusion

**NOTE :**

1. To be written in Interleaf Assignment Register.
2. Project should be written in 1000 – 1500 words.

\*\*\*\*\*END\*\*\*\*\*

**GIRLS' HIGH SCHOOL & COLLEGE, PRAYAGRAJ**  
**CLASS: XII A, B, C, D**  
**HOLIDAY HOMEWORK**  
**ASSIGNMENT**  
**SUBJECT: HINDI**  
**SESSION: 2026-2027**

\*\*\*\*\*

निर्देश:- अभिभावकों से यह अपेक्षा की जाती है कि वे यह सुनिश्चित करें कि छात्रा हिन्दी अधिन्यास से सम्बन्धित कार्य को प्रपत्र में दिए गए निर्देशानुसार करे।

1. पृष्ठ संख्या-01-नीचे दायी ओर नाम, कक्षा, वर्ग एवं अनुक्रमांक लिखें।
2. पृष्ठ संख्या-02-मध्य में हिन्दी अधिन्यास एवं उसके नीचे सत्र 2026-2027 लिखें।
3. पृष्ठ संख्या-03-मध्य में विषय-वस्तु लिखें।

**विषय वस्तु** – “उद्यमी नर’ कविता के माध्यम से श्रम और पुरुषार्थ की महत्ता स्थापित की गई है।” इस तथ्य को ध्यान में रखते हुए मानव –जीवन में पुरुषार्थ के महत्त्व को प्रतिपादित करते हुए 1000 से 1500 शब्दों में एक मौलिक कहानी लिखिए जिसका अंत सुखान्त और शिक्षाप्रद हो।

4. पृष्ठ संख्या-04-

**विषय सूची**

क्र०सं०	दिनांक	विषय-वस्तु	पृष्ठ संख्या	हस्ताक्षर

5. पृष्ठ संख्या-05-आभार
6. पृष्ठ संख्या-06-मौलिक कहानी लेखन
7. पृष्ठ संख्या-07-सन्दर्भित ग्रंथ

नोट:- (i) शब्द सीमा-1000-1500 शब्द  
(ii) अधिन्यास से सम्बन्धित कार्य को पूर्ण करने के लिए छात्रा को विज्ञान प्रयोगात्मक कॉपी (Loose Paper of Science Practical File) के पेजों का उपयोग करना अनिवार्य है।  
(iii) हेडिंग लिखने के लिए काले जैल पेन एवं मूल कहानी लिखने के लिए नीले जैल पेन का उपयोग अनिवार्य है।

**END**  
**Pg-01/01**

**Girls' High School & College, Prayagraj**

**Class: XII B**

**Holiday Home-Work**

**Assignment**

**Subject: Computer Science**

**Session: 2026-2027**

Reference Book: COMPUTER SCIENCE with Java Class 12 By Sumita Arora (Dhanpat Rai & Company)

**INSTRUCTIONS:** The students are expected to write **30 programs** in java. The sequence of the programs will be as follows:

1. 6 programs on Strings (display strings vertically, sorting the words of sentence, etc.).
2. 6 programs on numbers (magic composite, goldbach, isbn number, unique number etc.).
3. 4 programs on recursion (Fibonacci series, factorial, binary search, anagrams, etc.).
4. 4 programs on data structures (stack, queue, dequeue, circular queue).
5. 4 programs on inheritance.
6. 4 programs on 2-D array (spiral matrix, boundary elements, non-boundary elements, sorting rows of matrix, sorting columns of matrix).
7. 2 miscellaneous programs (date programs).

Instructions for writing the project

- The students are expected to execute the above programs on the computer system on BlueJ.
- The project is to be made on **MS Word**.
- The student should type the algorithm and variable description on MS Word.
- The sequence for each program should be **algorithm, program and variable description**.
- Format of Variable Description:

<u>Name of the variable</u>	<u>Data type</u>	<u>Purpose/Description</u>

- The font size should be **12**.
- The project is to be preceded by acknowledgement and index.
- The format of index is:

S. No.	Program	Remark

- No bibliography is required.

-----END-----

**Girls' High School & College ,Prayagraj**

**Class: XII B,C**

**Holiday Home-Work**

**Project**

**Subject: Mathematics**

**Session: 2026-2027**

**INSTRUCTIONS:**

There will be two separate Projects as per the topics given below. Use interleaf sheets to make the project.

Order to be followed

- Acknowledgement
- Index
- Introduction of the topic (It should not be more than 6 to 8 pages. )
- Question
- Introduction of the topic (It should not be more than 6 to 8 pages. )
- Question
- Bibliography

3. Use only black pen for headings and subheadings and blue pen for writing.

4. Keep both the projects in one file. Cover the file with brown paper. Write MATHS PROJECT in the middle and Name, Class, Section, Roll no. and Session should be written at the bottom right corner. Cover it with cellophane sheet and at the top right corner, paste a white slip ( 2cm by 6cm, bordered in black) and leave it blank.

**Topics for the project**

Attempt **any two questions** from the following list of assignments.

1. Using a graph, demonstrate a function which is one-one but not onto.
2. Using a graph demonstrate a function which is invertible.
3. Draw the graph of  $y = \sec^{-1} x$  (or any other inverse trigonometric function), using the graph of  $y = \sec x$  (or any other relevant trigonometric function). Demonstrate the concept of mirror line (about  $y = x$ ) and find its domain and range.
4. Verify the consistency of the system of three linear equations of two variables and verify the same graphically. Give its geometrical interpretation.
5. For a dependent system (non-homogeneous) of three linear equations of three variables, identify infinite number of solutions.
6. Explain the concepts of increasing and decreasing functions, using geometrical significance of  $dy/dx$ . Illustrate with proper example.
7. Explain and illustrate (with suitable examples) the concept of absolute maxima and absolute minima using graph.
8. Explain the conditional probability, the theorem of total probability and the concept of Bayes' theorem with suitable examples.
9. Explain the types of probability distributions and derive mean and variance of binomial probability distribution for a given function.
10. Using any suitable data, find the minimum cost and maximum nutritional value by applying the concept of Diet problem.
11. Using any suitable data, find the Optimum cost in the manufacturing problem by formulating a linear programming problem (LPP).
12. Find the image of a line with respect to a given plane.
13. Find the distance of a point from a line measured parallel to a given plane.
14. Find the area bounded by a parabola and an oblique line.
15. Find the area bounded by a circle and an oblique line.

.....END.....

**Girls' High School and College, Prayagraj**

**Class : XII A,B**

**Holiday Home-Work**

**Assignment**

**Subject : Physics**

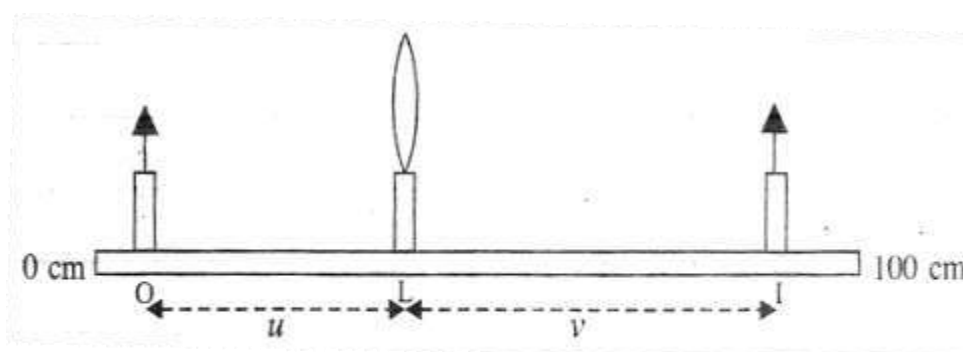
**Session : 2026 - 2027**

**Instructions:**

1. The students are expected to do this holiday homework in their Physics Note-Book/Register.
2. The students are expected to use a separate graph sheet to draw the graph with proper scale and paste it opposite to the observation table.

A student performs an experiment based on optics. Experimental set up is as follows:

She makes the following observations



Position of Object (O) in cm	Position of Lens (L) in cm	Position of Image (I) in cm
0.0	16.0	26.7
0.0	17.0	24.3
0.0	18.0	23.0
0.0	19.0	21.5
0.0	20.0	20.2

Now calculate  $u = (L-O)$  cm,  $v = (I-L)$  cm,  $x = \frac{100}{u}$ , and  $y = \frac{100}{v}$ . Tabulate all values properly with units and plot a graph of  $y$  against  $x$ .

From the graph calculate slope of the graph,  $S = \frac{y_2 - y_1}{x_2 - x_1}$  (with correct unit)

What is its value?

Also find  $y_0$ , value of  $y$  when  $x = 0$ .

Find focal length  $f = \frac{100}{y_0}$ .

**END**

**Girls' High School and College, Prayagraj**  
**Class : XII A, B**  
**Holiday Home-Work**  
**Project**  
**Subject : Chemistry**  
**Session : 2026 - 2027**

Write project on the topic selected from the following topics:

1. Amino acids: Peptides, structure and classification, proteins structure and their role in the growth of living beings.
2. Nucleic Acid: DNA and RNA – their structure. Unique nature. Importance in evolution and their characteristic features.
3. Carbohydrates and their metabolism, Blood - haemoglobin and respiration.
4. Vitamins and hormones
5. Simple idea of chemical evolution.
6. Natural polymers (any five) - structure, characteristics, uses. Synthetic polymers (any five) - method of preparation, structure, characteristics and uses.
7. Types of Dyes - methods of preparation, characteristics and uses.
8. Chemicals in medicines: antiseptics, antibiotics, antacids, etc. and their uses.
9. Chemicals and chemical processes in forensic studies.
10. Insecticides, pesticides and chemical fertilisers.
11. Ancient Indian medicines and medicinal plants.
12. Organic Chemistry in Nutrition, Food Science and Biotechnology.
13. Effect of Green House Gases.
14. How Plastics have changed the world, both socially and economically.

Project to be written in the given format below:

1. Introduction / purpose
2. Contents
3. Analysis/ material aid (graph, data, structure, pie charts, histograms, diagrams, etc.)
4. Presentation
5. Conclusion
6. Bibliography

**Note:**

1. To be written on interleaf pages.
2. Project should be of 30-35 pages.

--END--

**Girls' High School & College, Prayagraj**

**Class: XII A**

**Holiday Home Work**

**Project**

**Subject: Biology**

**Session: 2026 – 2027**

**Instructions:**

The project should be written under the following headings –

1. Topic
2. Index
3. Acknowledgement
4. Introduction
5. Content (subtopics)
6. Conclusion
7. Bibliography

**Topics:**

1. Gene therapy
2. Bio-piracy
3. Plastic menace in oceans
4. Hepatitis
5. Climate Change
6. Role of agrochemicals in increasing food production

- The students will write a project on the topics (1-6) mentioned.
- It will be written according to the class roll numbers (1-6) which will be repeated for the next six students  
i.e. Topic 1 will be for roll no. – 1, 7, 13, 19 and so on.
- The project should be of 20 – 25 hand written pages.
- It should have diagrams, pictures, graphs etc. supporting the topic.

-----END-----

**Girls' High School & College, Prayagraj**

**Class: XII C**

**Holiday Home-Work**

**Project-I**

**Subject: Accounts**

**Session : 2026-2027**

**Instructions:- Students have to develop a case study on their own, involving two partners, who decide to start a partnership firm. They have to write atleast 15 transactions on the basis of the points mentioned below and then they have to write the journal entries, prepare ledger accounts, then Trial balance, then Trading and P/L a/c, P/L Appropriation a/c, Partners' Capital a/c and the Balance Sheet. Lastly, the Conclusion. The order as well as presentation is similar to the first project made in class 11. The length - 15 to 20 pages.**

Preparation of Journal/Sub-division of Journal, Ledger, Trial balance and Financial Statements of a Partnership form of business on the basis of a case study.

- Develop a case study showing how two or more friends decide to come together and start a business with a certain amount of capital.
- Prepare their Partnership Deed including interest on Capital, Partner's salary, commission, interest on drawings, interest on partner's loan and rent paid to a partner.
- Write in detail, their transactions during the year : purchases - cash and credit, sales - cash and credit, expenses, purchase of fixed assets and depreciation charged on them, any outstanding expenses, prepaid expenses, accrued income, drawing bills of exchange, accepting bills payable etc.
- From this case study developed (which should have at least 15 transactions), pass the journal entries, post them into the ledger, prepare a Trial Balance and the Trading and Profit and Loss Account, Profit and Loss Appropriation Account and Balance Sheet.

- The various expenses, for comparison purpose, could be depicted in the form of bar diagrams, pie charts.
- Calculate relevant accounting ratios like liquidity, solvency, activity and profitability - giving their formulae and computation (all this could be part of the viva-voce).
- The ratios could also be shown graphically and/or pictorially (bar diagrams, pie charts) and if possible, could be compared with the ratios of the industry.

**The End**

# Girls' High School & College, Prayagraj

Class: XII C

Holiday Home-Work

Project

Subject: Commerce

Session: 2026-2027

## INSTRUCTIONS:

1. There will be two separate Projects as per the topics given below.
2. Order of each project :
  - **Acknowledgement** should be short and simple. Write your name, class, section, and roll no. at the end. (one page)
  - Name of the topic (one page)
  - **Index** (only serial no. , content, and page no. , should be of one page.)
  - Subject Matter of the topic (describe the topic with Introduction , relevant headings, and subheadings, supported with pictures/diagrams/ graphs/ tables, as per the requirement. It should not be more than 8 to 10 pages.)
  - **Conclusion** (one page)
  - **Bibliography** (write the name of related websites and books consulted for the making of the project. One page.)
  - Each project should be within **15 pages** including all the points mentioned above. Do not use vulgar or objectionable pictures.
3. Relevant pictures should be pasted neatly and must be **bordered in black** along with **labelling or heading**. Use only black and blue pens for writing.
4. Sample projects are given at the end of the course book. These can be read to understand the topics but do not copy the matter from here.
5. Keep both the projects in one file. Cover the file with **Pink chart paper**. Write **Commerce Project 2026-2027** in the middle and Name, Class, Section, Roll no., Admission no. should be written at the bottom right corner. Then cover it with cellophane sheet and at the top right corner, paste a white slip (2cm by 6cm, bordered in black) using fevicol and leave it blank.
6. Course book, reference book(s) and relevant website(s) can be used to find the subject matter of the project.

Topics for the Project:

1. (a) Study the **sources of recruitment** and **steps Involved** in the **selection procedure** adopted by **two companies** of the **same industry**.  
(b) **Compare** and **evaluate** the sources of recruitment and the selection process adopted by the selected companies.
2. Collect newspaper/magazine clippings of **five cases** filed by consumers in the **consumer court**.  
Find out the **rights violated**, and the **redressal mechanism** used.  
What was the **outcome** of each case?

---

END

**Girls' High School & College, Prayagraj**

**Class: XII C,D**

**Holiday Home-Work**

**Project**

**Subject: Economics**

**Session: 2026-2027**

Note: Parents are expected to ensure that the student should go through all the instructions given below before making the project.

**INSTRUCTIONS:**

1. There will be two separate Projects as per the topics given below.
2. Order of each project :
  - Acknowledgement should be short and simple. Write your name, class, section, and roll no. at the end. (one page)
  - Name of the topic (one page)
  - Index (only serial no. , content, and page no. , should be of one page.)
  - Subject Matter of the topic (describe the topic with Introduction , relevant headings, and subheadings, supported with pictures/diagrams/ graphs/ tables, as per the requirement. It should not be more than 8 to 10 pages.)
  - Conclusion (one page)
  - Bibliography (write the name of related websites and books consulted for the making of the project. One page.)
  - Each project should not be more than 15 pages including all the points mentioned above. Do not use vulgar or objectionable pictures.
3. Relevant pictures should be pasted neatly and must be bordered in black along with labelling or heading. Use only black and blue pens for writing.
4. Sample projects are given at the end of the course book. These can be read to understand the topics but do not copy the matter from here.
5. Keep both the projects in one file. Cover the file with brown paper. Write Economics project 2025-2026 in the middle and Name, Class, Section, Roll no., Admission no. should be written at the bottom right corner. Then cover it with cellophane sheet and at the top right corner, paste a white slip (2cm by 6cm, bordered in black) using glue and leave it blank.
6. Course book, reference book(s) and relevant website(s) can be used to find the subject matter of the project.

Course Book –

ISC Economics – II For Class XII by D.K. Sethi & Mrs. U. Andrews

Topics for the Project:

1. Role of Artificial Intelligence in economic growth.
2. Make in India Initiative – to accelerate economic growth.

---

**END**

# **Girls' High School & College, Prayagraj**

**Class: XII D**

**Holiday Home-Work**

**Assignment**

**Subject: History Dissertation**

**Session - 2026-2027**

**Topic** - Role of Sardar Vallabhbhai Patel in the Integration of Princely States.

Acknowledgement

Contents

Abstract

Introduction

Hypothesis

Methodology

Chapter – 1 - Early life and Political Career

Chapter – 2 - Integration of Princely state of Junagarh

Chapter – 3 - Integration of Hyderabad

Chapter – 4 - Integration of Jammu & Kashmir

Conclusion

Bibliography

Webliography

Picture Gallery

**Instructions** : Only topics and subheadings in black ink.

Rest with blue ink. It should be of approximately 2000 words.

**Sample Cover Page of the Dissertation**

**History Dissertation**



**Role of Sardar Vallabhbhai Patel in the Integration of Princely States**

Name –  
Class / Section –  
Session –  
UID No : –

END

**GIRLS' HIGH SCHOOL & COLLEGE, PRAYAGRAJ**  
**CLASS: XII-D**  
**DISSERTATION**  
**SUBJECT: POLITICAL SCIENCE**  
**SESSION: 2026-2027**

Title Page- **Public Accountability of Civil Servants in India**

Acknowledgement

Table of Contents

Chapter I Introduction

Hypothesis- Public Accountability of Civil Servants in India- is it a myth or a reality?

Methodology- The researcher has taken help from books, official websites, research journals, political magazines and newspapers to complete the dissertation.

Chapter II Public accountability of Civil Servants in India –meaning

Chapter III Role of Public Servants in Indian Democracy

Chapter IV Drawbacks in existing bureaucratic setup

Chapter V Public Accountability of Civil Servants in India- is it a myth or a reality?

Conclusion

Bibliography/Webliography

**Instructions-** Word limit-2000, Max. Pages- 20.

File to be covered with brown paper.

---

END

---

**Girls' High School & College, Prayagraj**  
**Class: XII-D**  
**Holiday Home-Work**  
**Project**  
**Subject :Legal Studies**  
**Session: 2026-2027**

**INSTRUCTIONS:**

- 1. There will be two separate studies on the given topics in the project.**
2. Order of the Project will be as follows:(**word limit 2000**)
  - a) Acknowledgement** – it should be same for both the studies .
  - b) Table of Content** –there should be only 3 column –serial no., content and page no.
  - c) Subject matter** – The body of the Project(it should contain all the headings ,matter supported by pictures ).Note : pictures should be well labelled and use black ink for writing heading and labelling the pictures.
  - d) Case Laws- Minimum 3 cases** should be there related with the project topic (only the facts and judgement) for both studies.
  - e) Conclusion** –Only one page (separate for **each** study).
  - f) Bibliography** – Name of the Books & Writers (separate for both the studies )
  - g) Weblibliography** – Name of Websites/ links (Separate for both studies ) \*should not use chatgpt.
- 3. Related Books-** Bareacts can be referred, for 1<sup>st</sup> study- ADR (ADR by S C Tripathi) OR any other relevant books, 2<sup>nd</sup> study – Legal Maxims by (P.M. Bakshi ),Class 12 ISC Legal Studies by (Shruti Srivastava )or any other relevant book.
4. File is to be covered with “**BROWN PAPER**” and cellophane sheet over it.

**STUDY -1:** Arbitration in India: Process and Legal framework (with reference to Arbitration and Conciliation Act ,1996.

**STUDY -2:** Explain any 10 Legal maxims with suitable examples and case study. (mentioned in the syllabus)

-----END-----

# Girls' High School & College Prayagraj

Class: XII D

## Holiday Home-Work

### Project

Subject: Sociology

Session: 2026-2027

#### Instructions:

1. There will be two separate Studies on the given topics in the Project. The pattern will be same as done in class 11.
2. Order of the Project will be as follows: (word limit -2000)
  - a. **Acknowledgement:** (should be on 1 page only): Include the names of both the studies; write your name, class and section at the end on the right-hand side.
  - b. **Table of Contents:** (should not exceed 2 pages): There should be only 3 column- Serial No., Content and Page No.
  - c. **Title Pages:** Title Pages of both the studies will include - **STUDY 1-** (Name of the Study) and **STUDY 2** (Name of the Study)
  - d. **Objectives and the Hypothesis:** Write this for both the Topics.
  - d. **Subject Matter:** Describe the topics as per the headings given, supported by relevant pictures. Pictures (coloured / black & white) should be collected and pasted systematically, they will be bordered in black along with labeling or heading. Use Black ink for headings and labelling everywhere.
  - e. **Write the Findings from interviews.**
  - f. **Conclusion: Only 1 page** - (separate for each study)
  - g. **Bibliography** (New pg): Names of Books & Writers - (separate for both the studies)
  - h. **Webliography** (New pg): Names of Websites / links (Do not write www.google.com) – (separate for both the studies)
3. **The following books or other relevant books and websites can be used to find the subject matter for the topic - BOOKS:** (a) ISC Sociology for Class XII- Manjir Ghosh- Kalyani Publishers (Course Book); (b) Sociology: Principles of Sociology with an Introduction to Sociological Thought - CN Shankar Rao- S. Chand (Ref. Bk); (c) Sociology of Indian Society - CN Shankar Rao - S Chand (Ref. Bk)
4. File is to be covered with black coloured paper and cellophane sheet over it.

#### Study 1- Changing nature of Indian family

1. Can interview members from five families. Members of different generations from each family should be interviewed.
  - Collect data with the help of a questionnaire and interviews.
2. Conclusion of the Study.
3. Study should be supported by photographs

#### STUDY 2- Superstitions and Taboos

1. Can interview members from five families to understand the superstitions and taboos followed by them. Members of different age groups should be interviewed.
2. Collect data with the help of a questionnaire and interview method.
3. Record the beliefs, practices, and reasons given by the respondents regarding superstitions and taboos.
4. Compare the views of elders and younger generation about these practices.

5. Note whether these beliefs are still followed strictly or have changed with time.
6. Conclusion of the study should be based on the responses collected.
7. Study should be supported by photographs of symbols, objects, or practices related to superstitions and taboos.
8. Write two Case Study.
9. Conclusion of the Study.
10. Study should be supported by photographs.

END